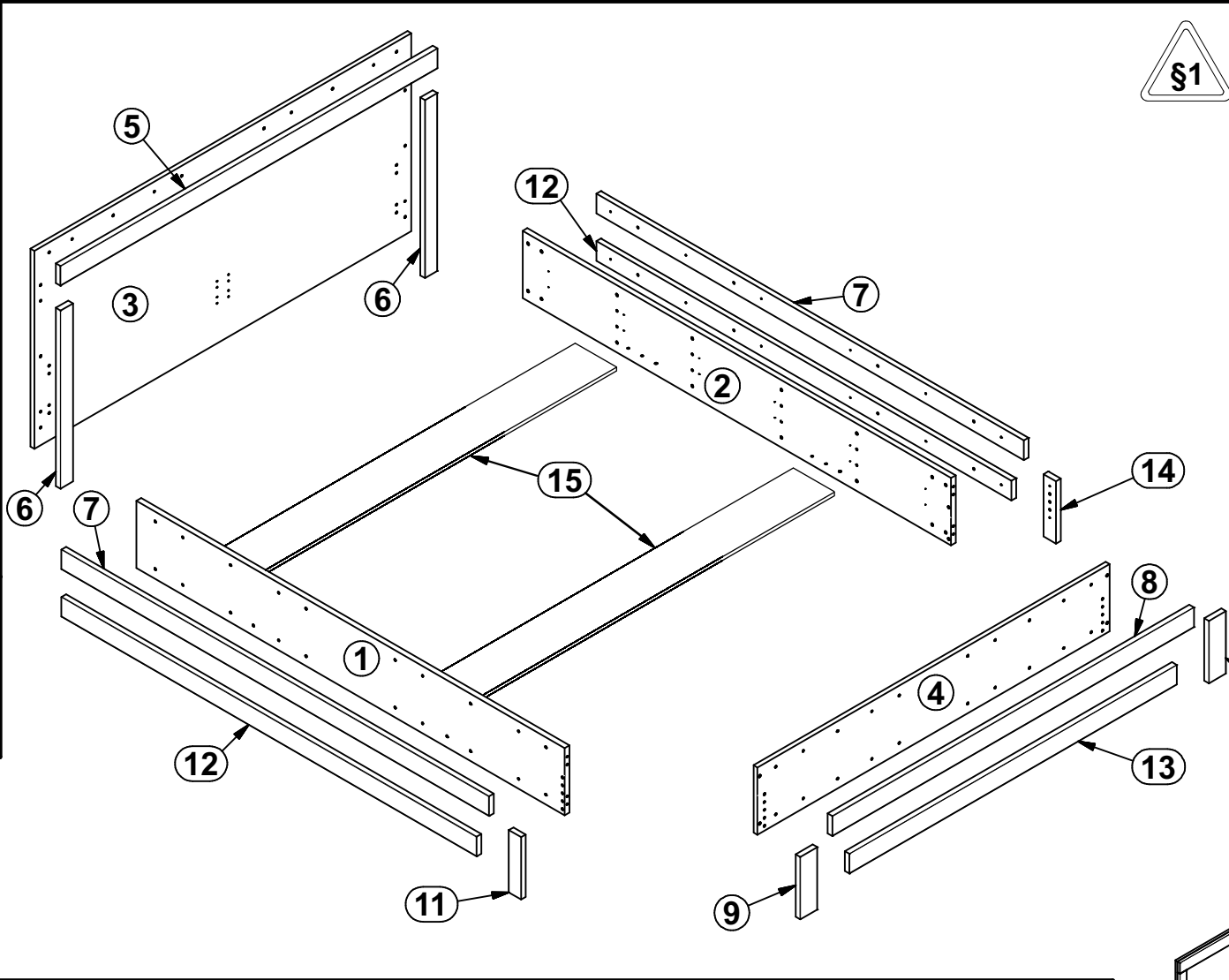
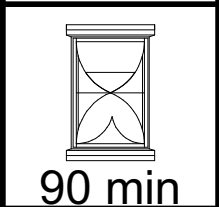
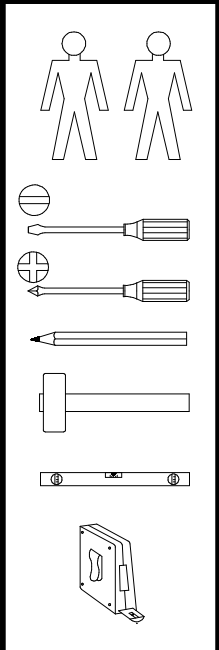


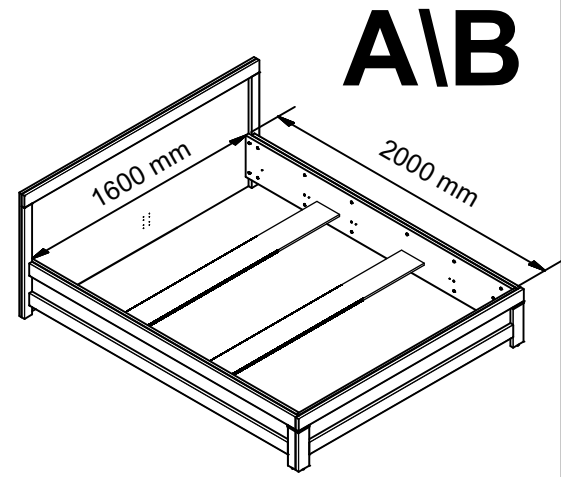
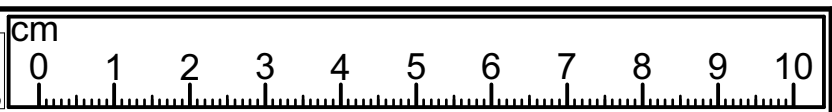
A S228-LOZ/160(каркас)

GERMAN



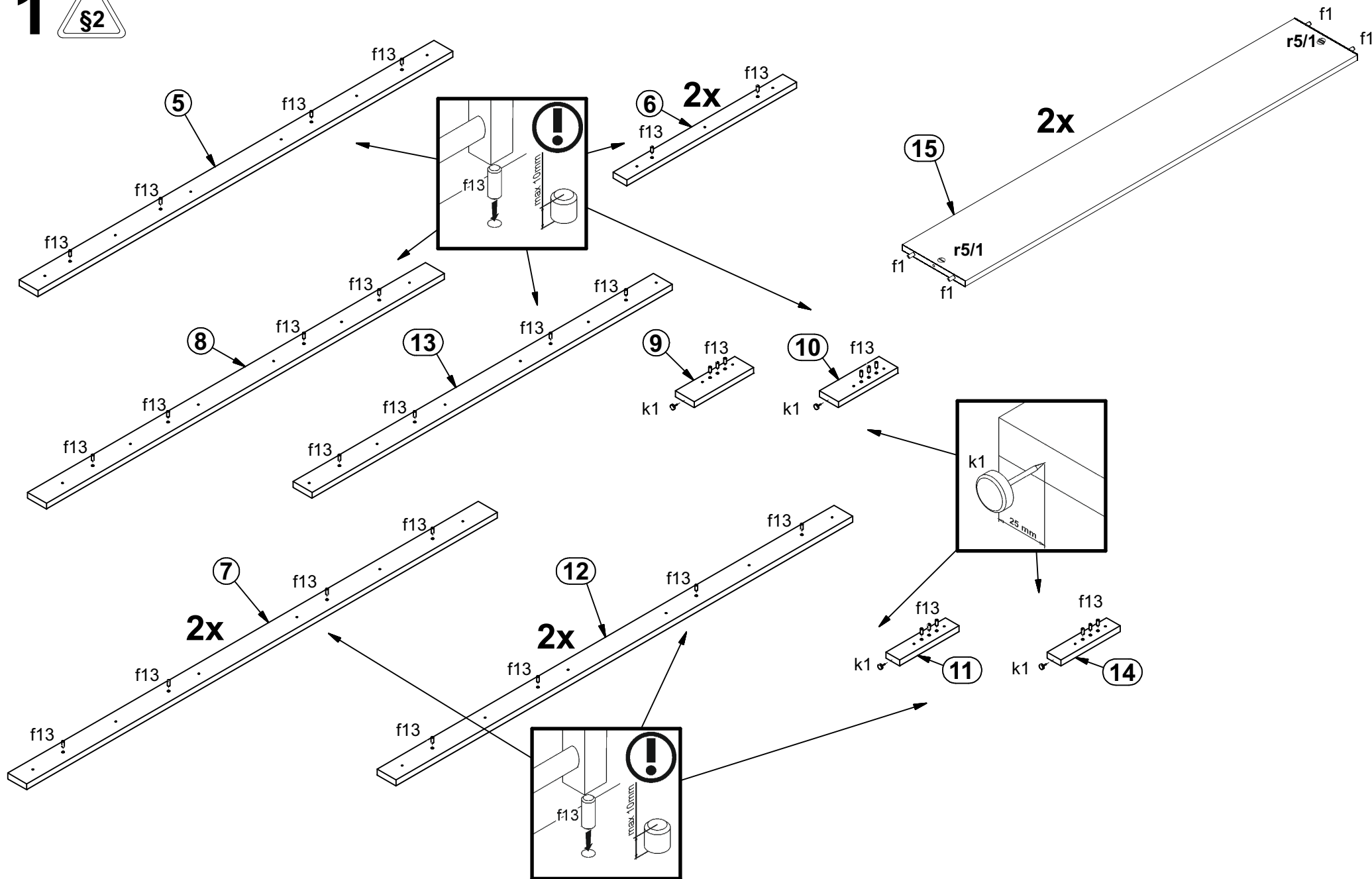
A	B	C (mm)		D
1	S228-1136	2000	272	1/2
2	S228-1141	2000	272	1/2
3	S228-4415	928	1760	2/2
4	S228-4416	1644	272	2/2
5	S228N-5562	1760	80	2/2
6	S228N-5563	848	58	2/2
7	S228N-5564	1994	80	1/2
8	S228N-5565	1688	80	1/2
9	S228N-5566	252	80	2/2
10	S228N-5567	252	80	2/2
11	S228N-5568	252	58	2/2
12	S228N-5569	1936	80	1/2
13	S228N-5570	1528	80	1/2
14	S228N-5578	252	58	2/2
15	S228-4430	1600	170	2/2

4x ШБ, 5x20 mm p79	28x Ш7 x35 mm e26	16x ШБ x30 mm f1	44x ШБ x20 mm f13
7x k1	8x M6x50 mm r5l2	12x Ш1 0x16 mm r43	2x k101
1x z1	4x φ10x13 mm r5'	28x φ7x30 mm e6	

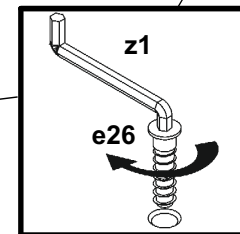
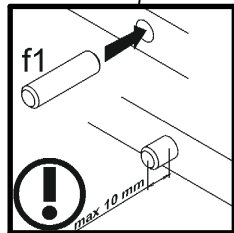
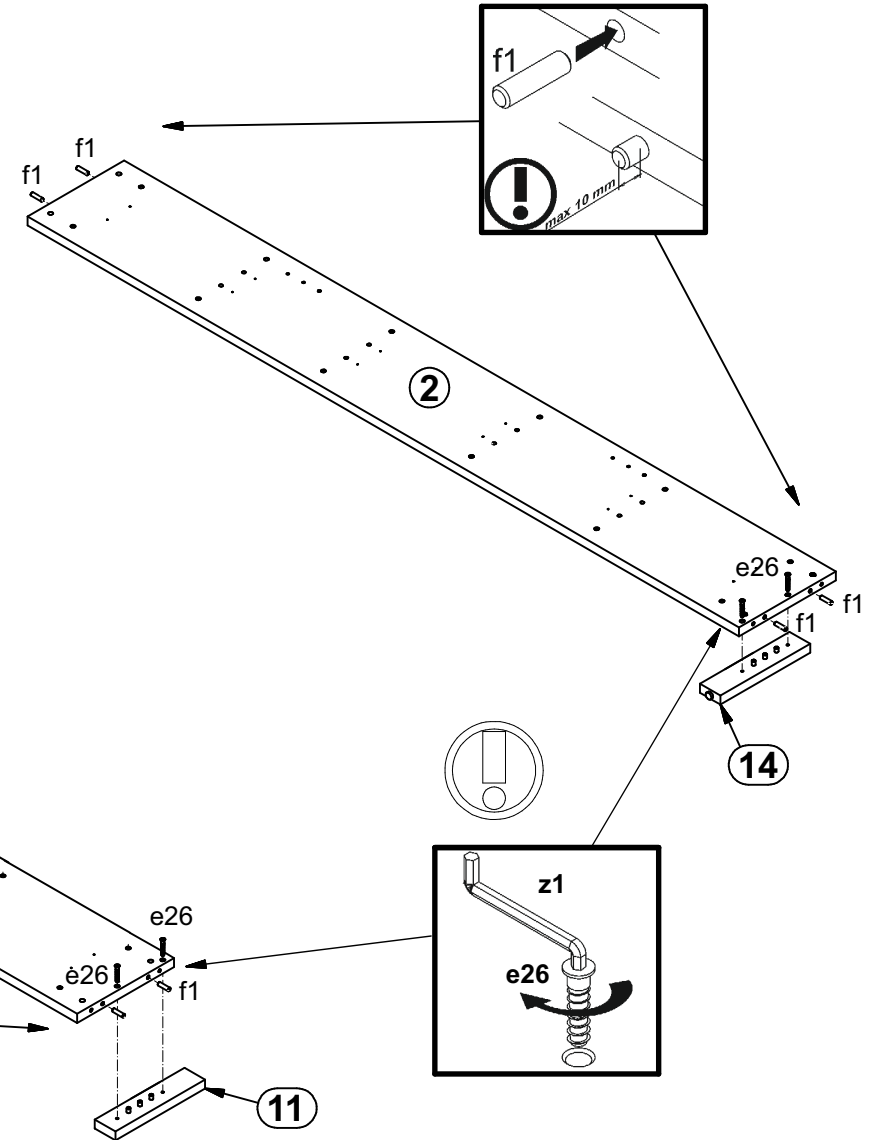
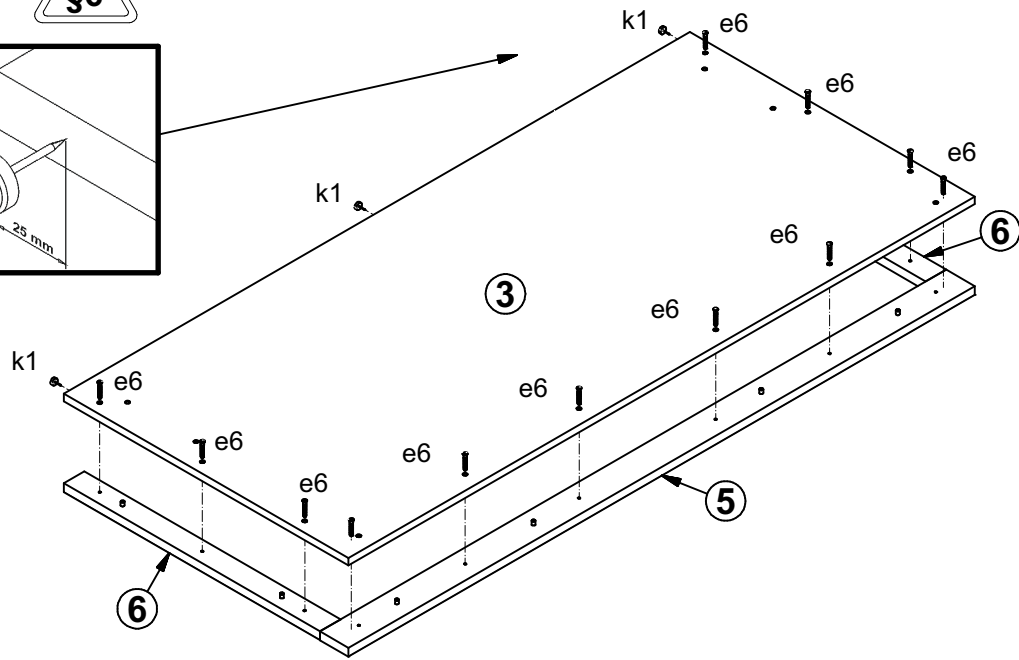
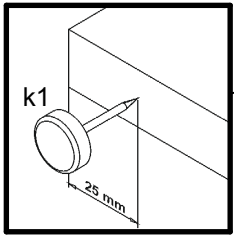


A/B

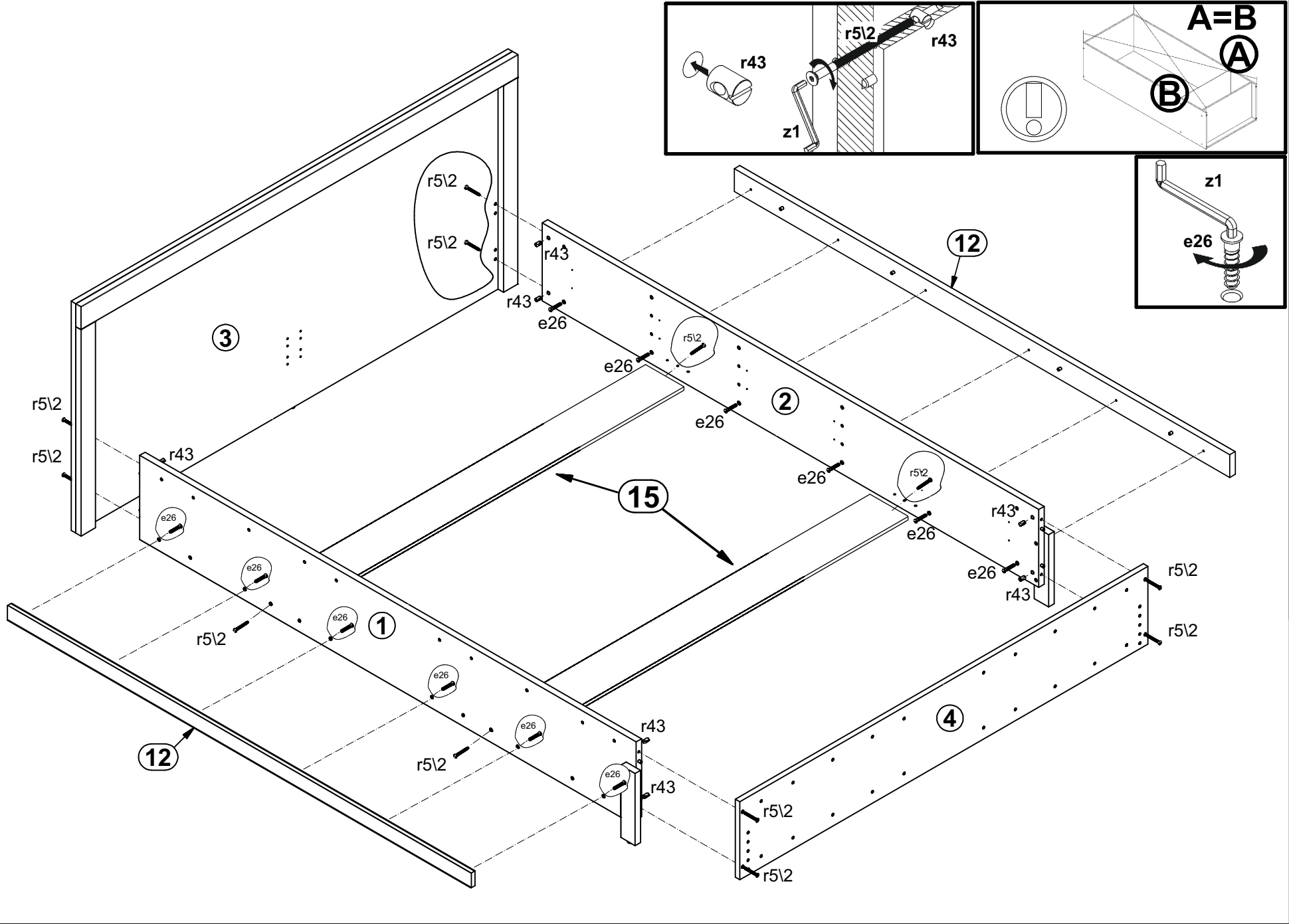
1  §2

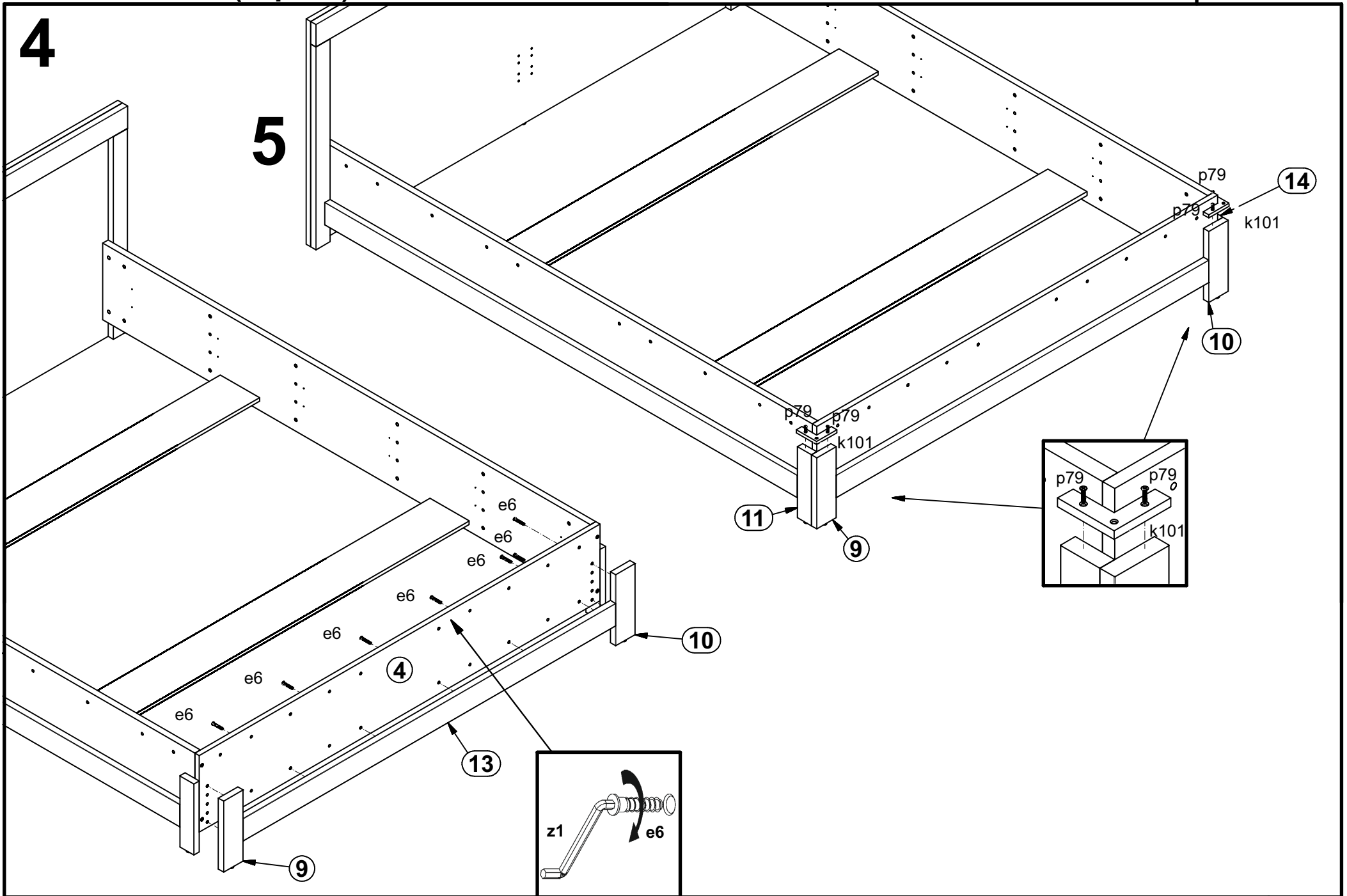


2

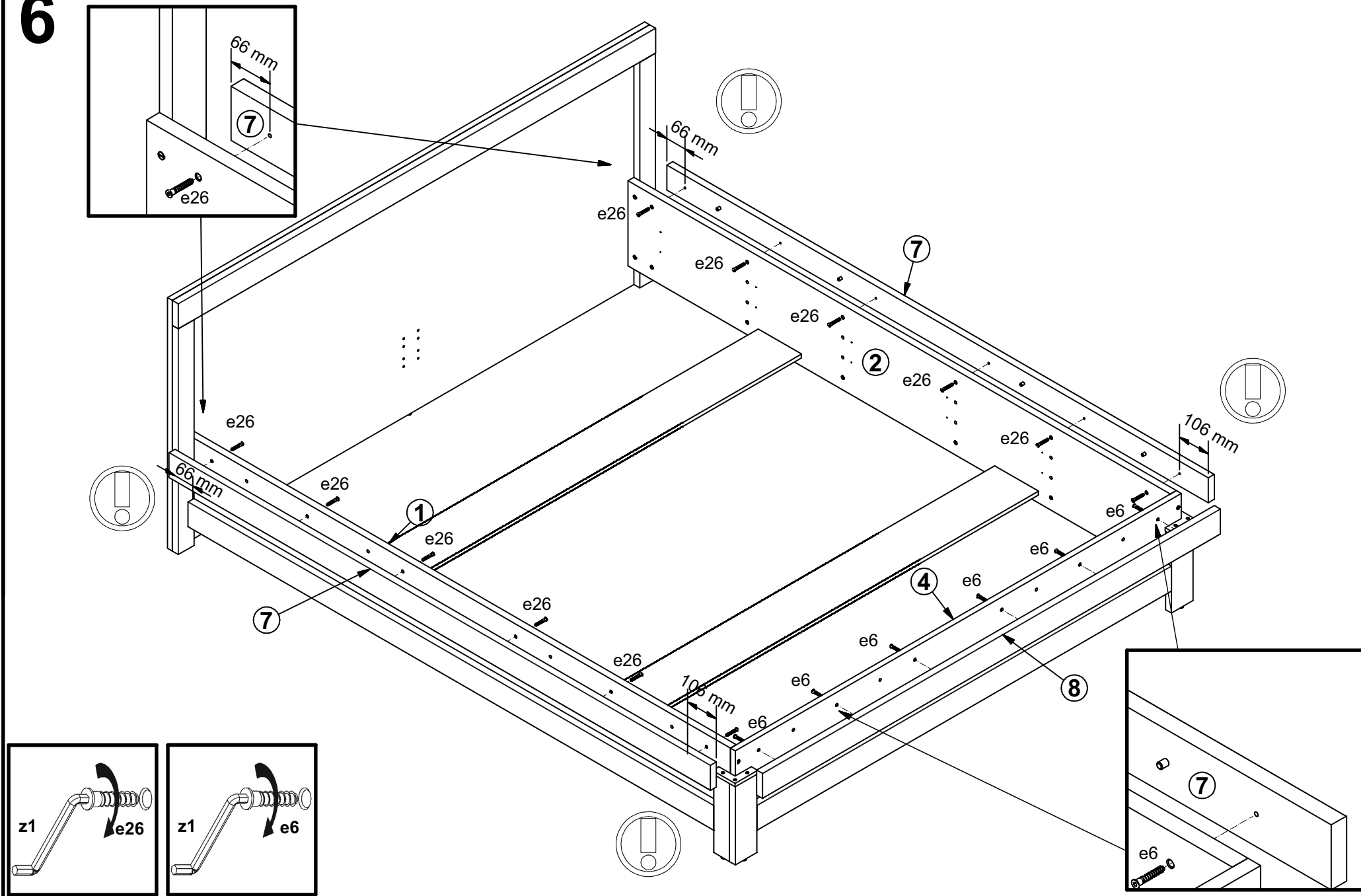


3





6



8

