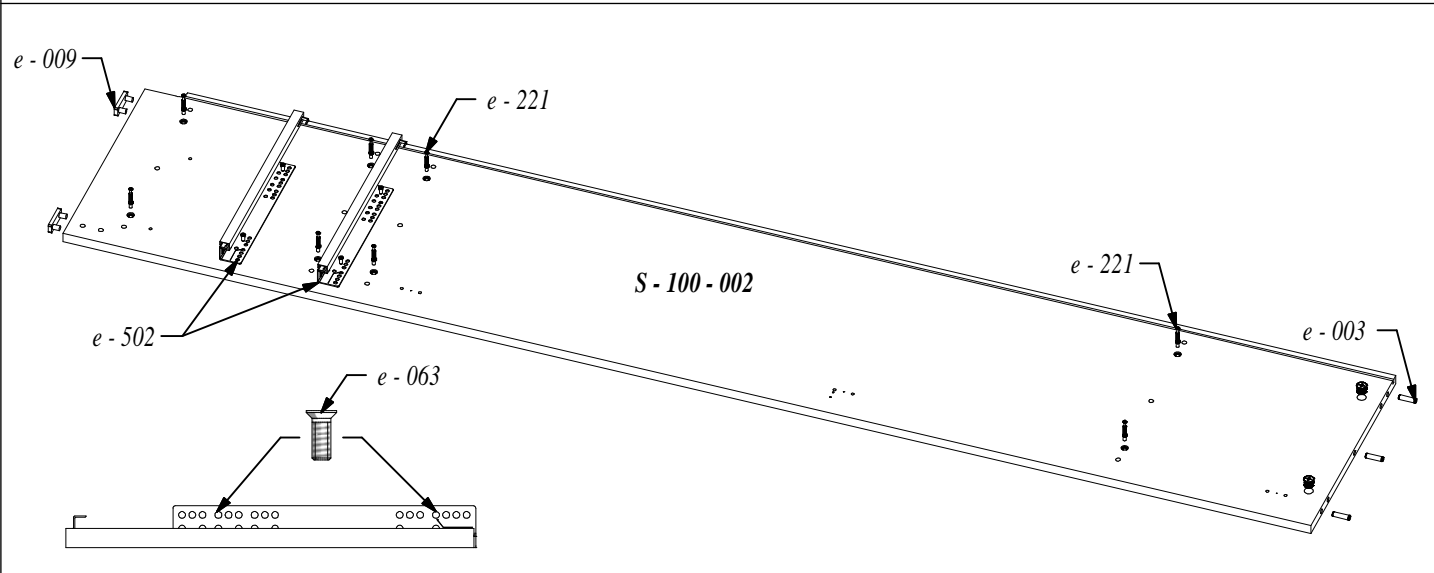
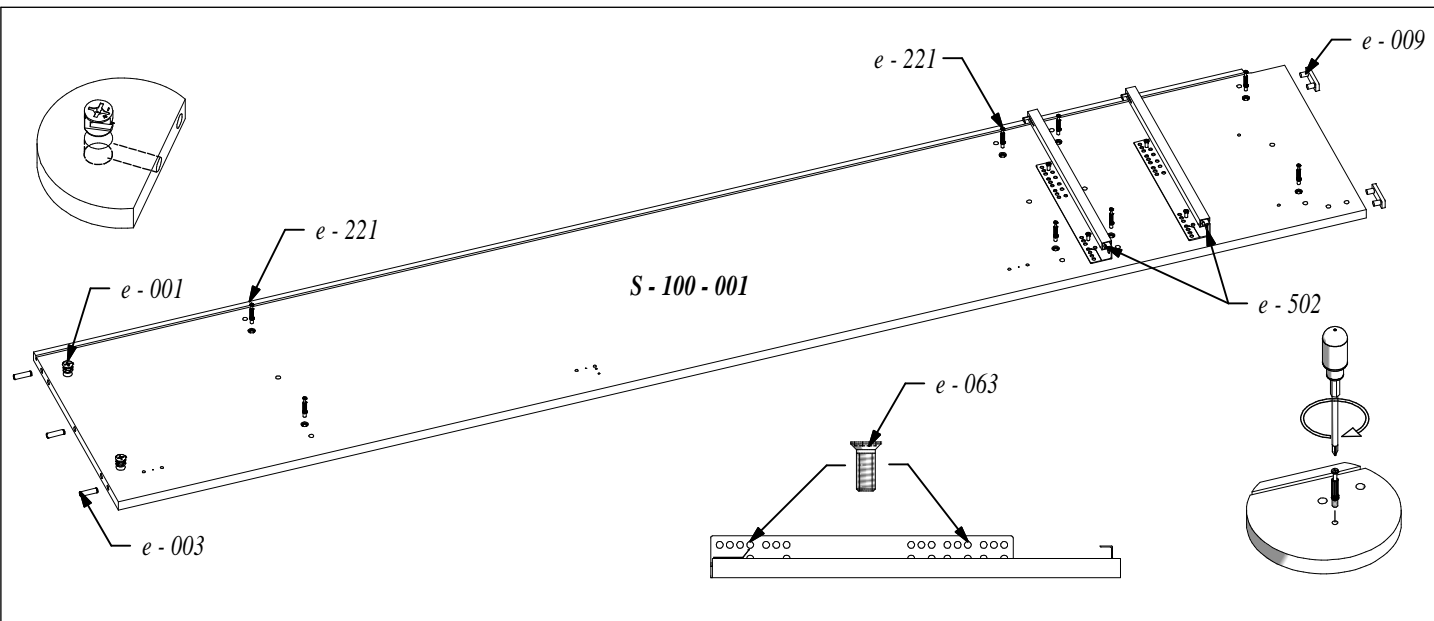
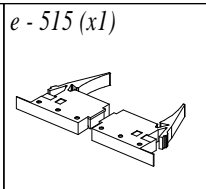
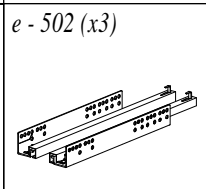
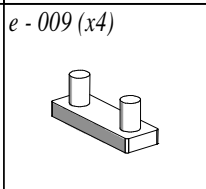
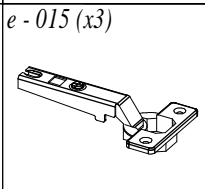
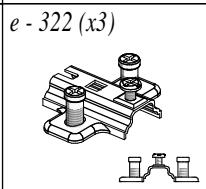
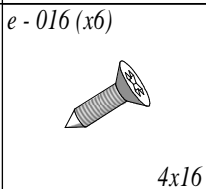
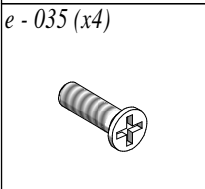
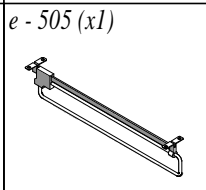
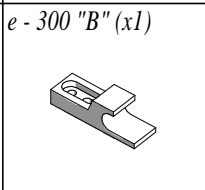
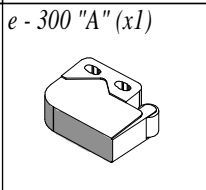
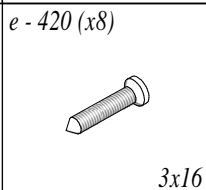
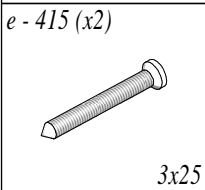
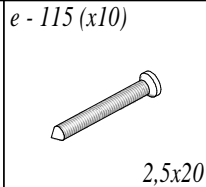
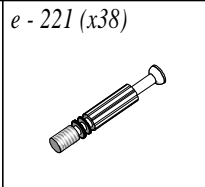
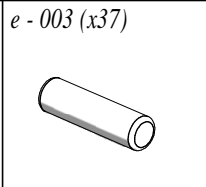
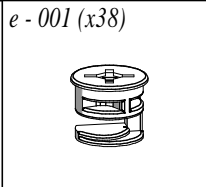
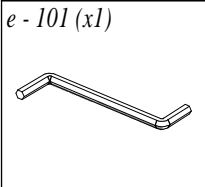
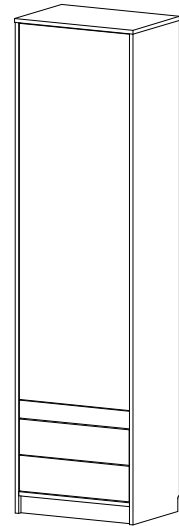
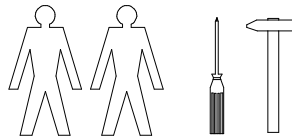
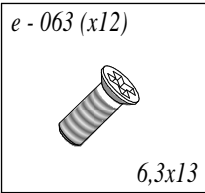
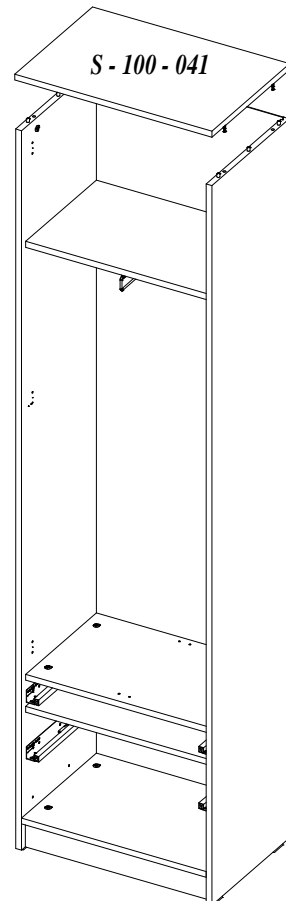
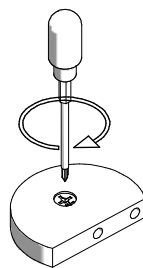
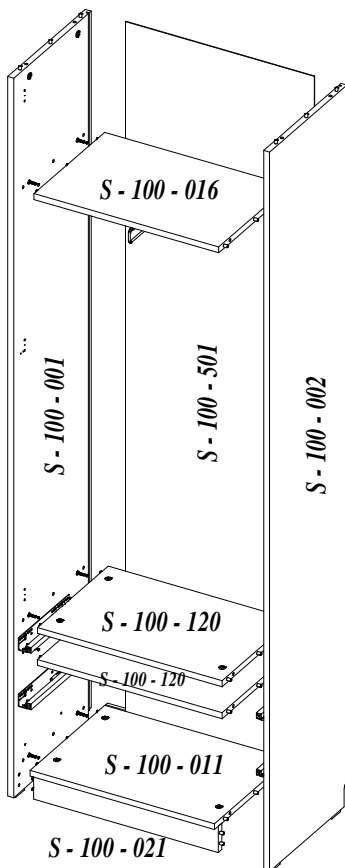
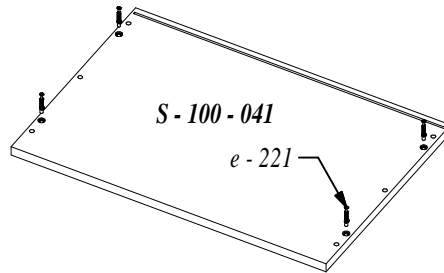
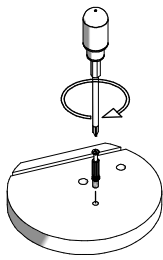
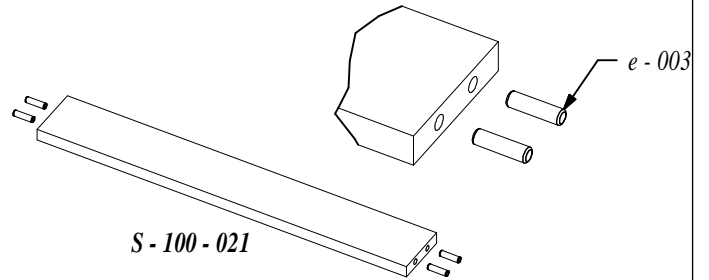
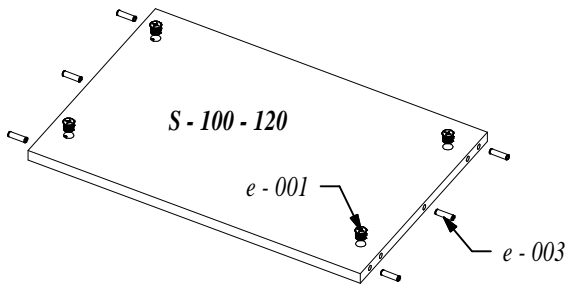
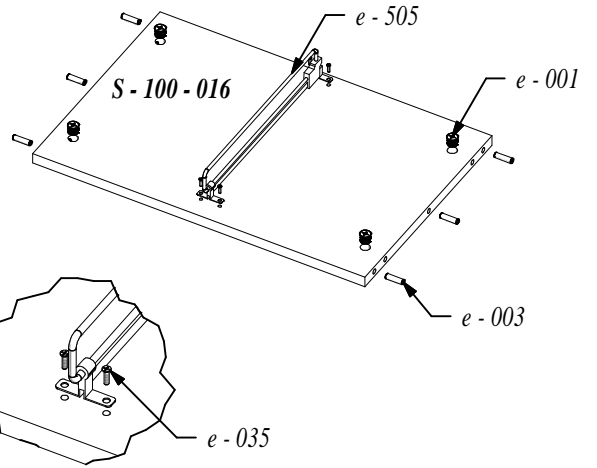
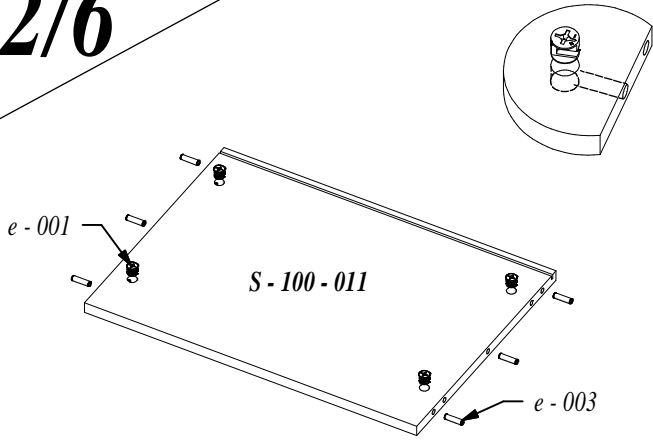


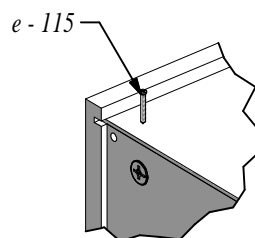
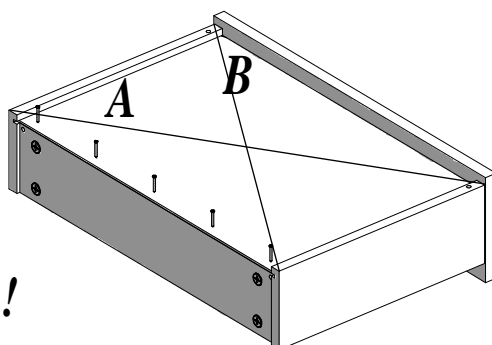
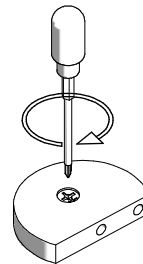
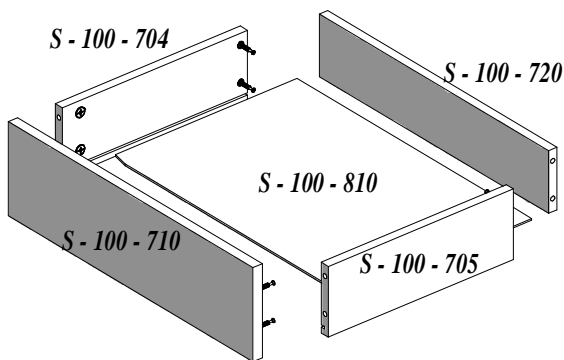
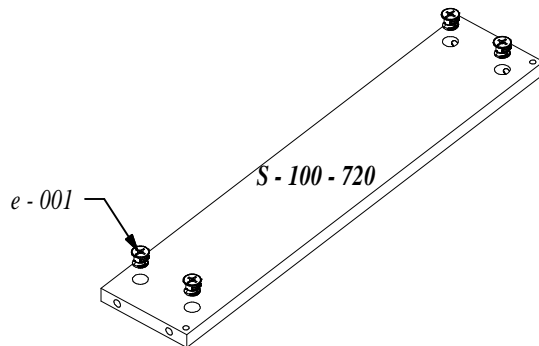
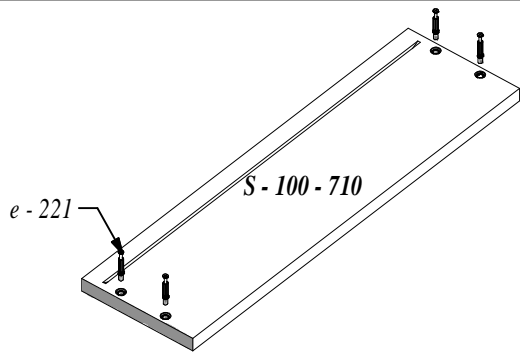
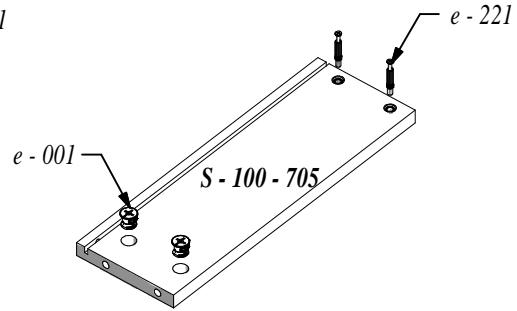
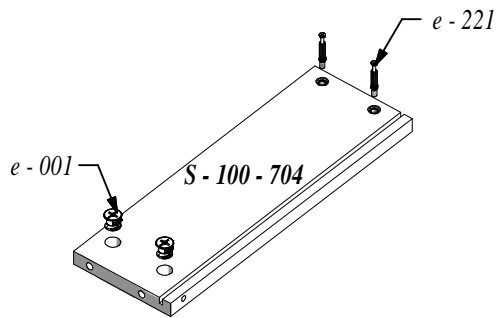
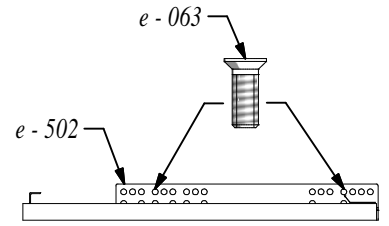
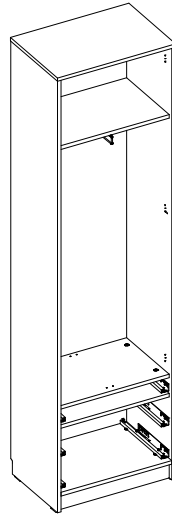
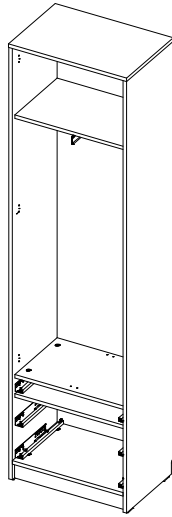
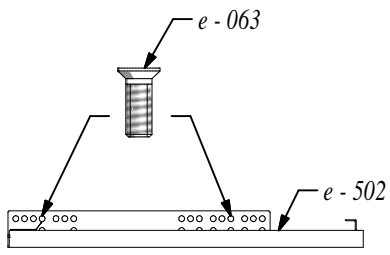
Szafa S

1/6

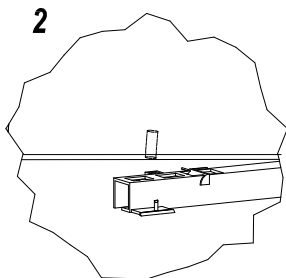
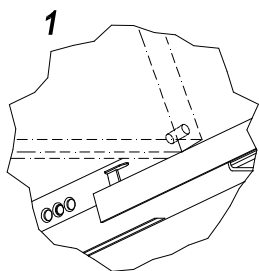
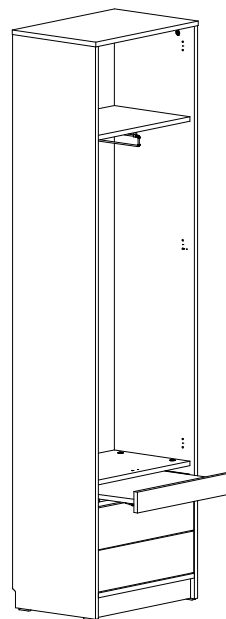
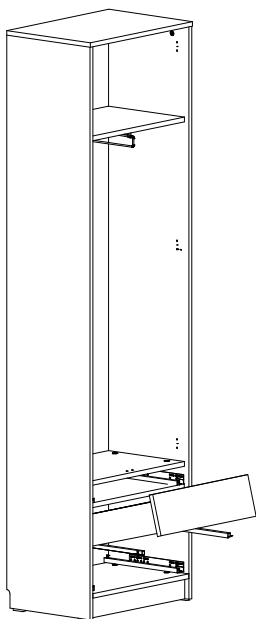
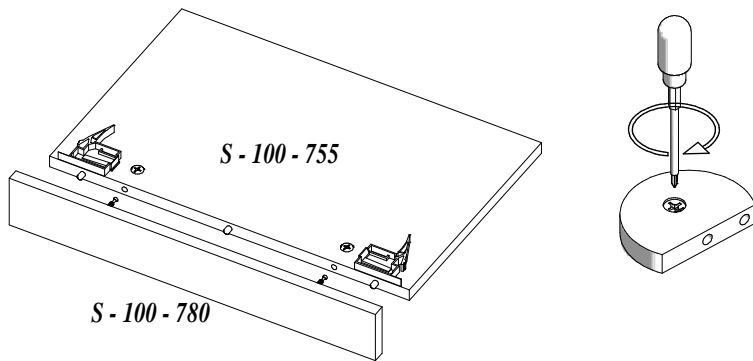
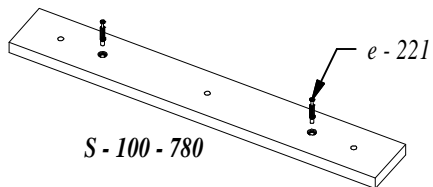
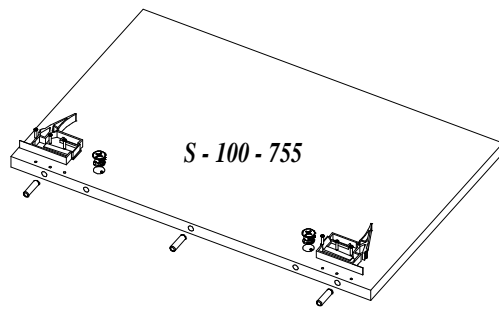
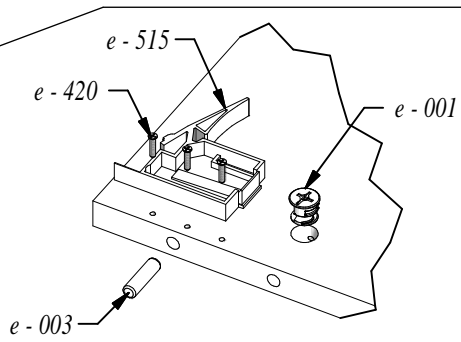


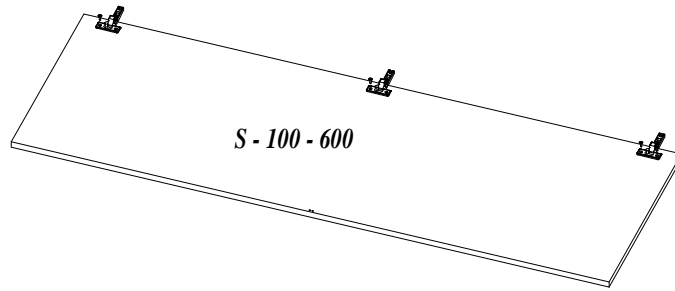
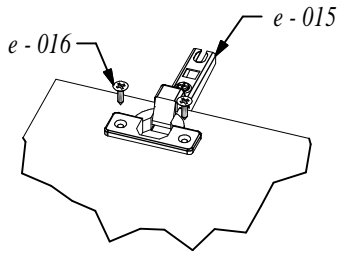
2/6



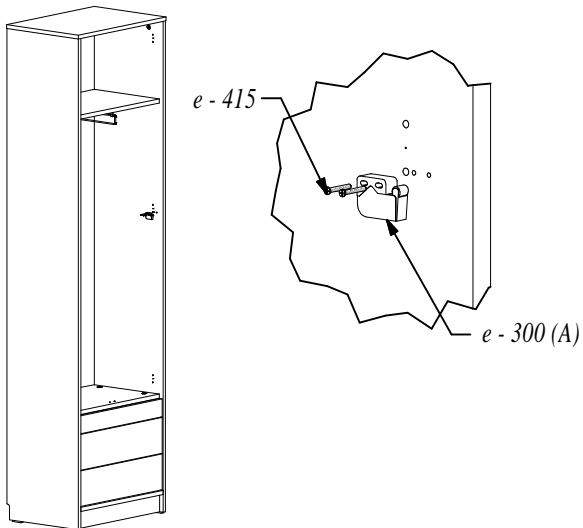
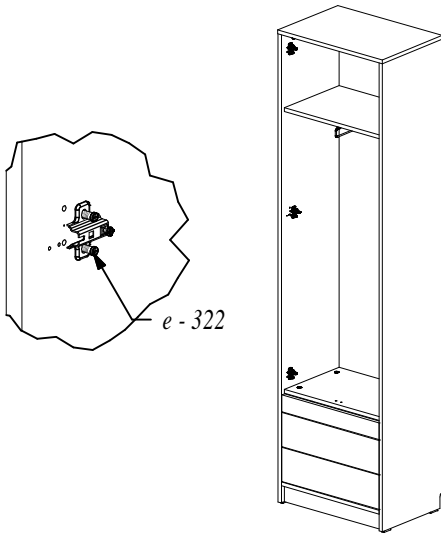
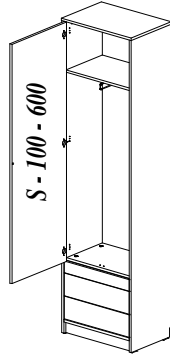


A = B !!!





"I"



"II"

