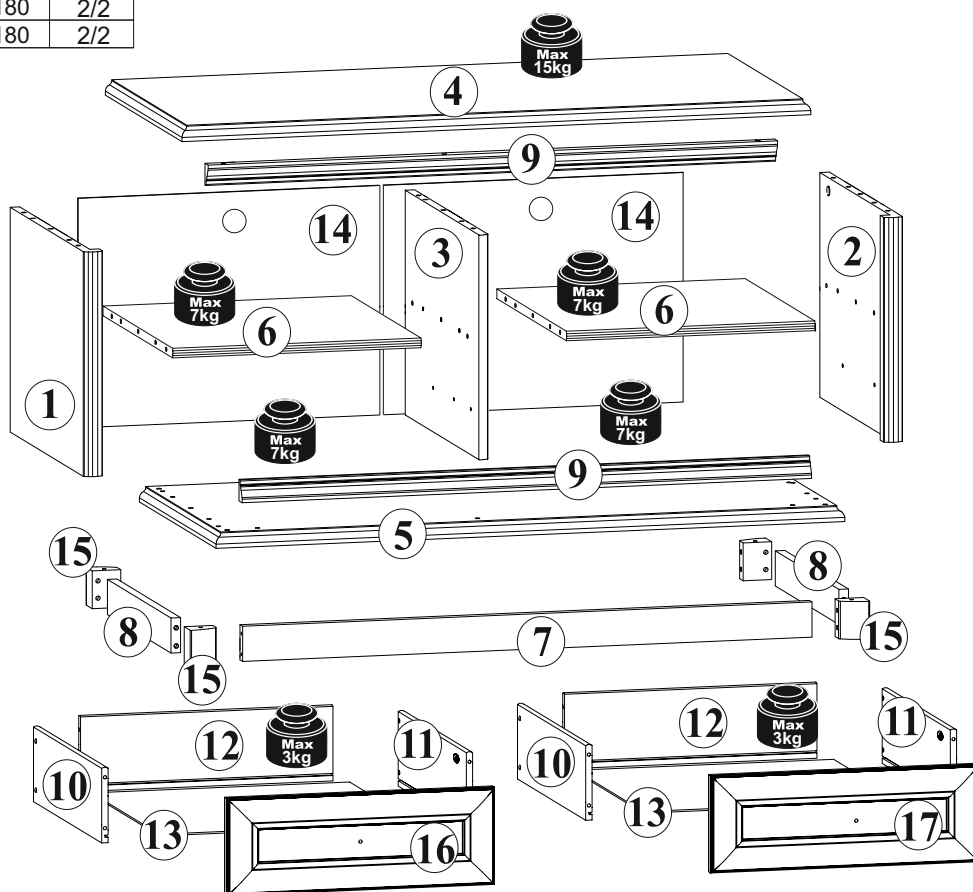
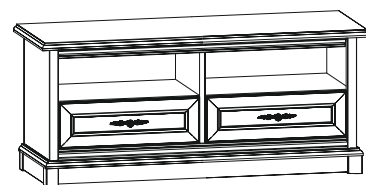
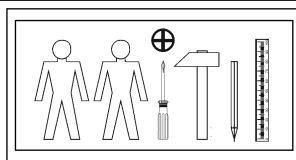

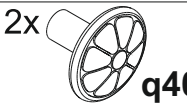
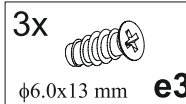
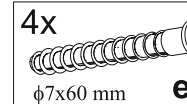
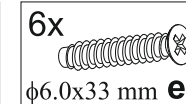
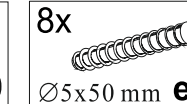

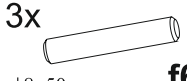
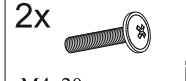


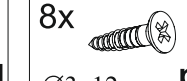

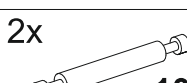



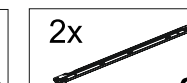
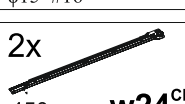

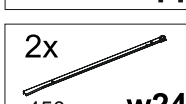
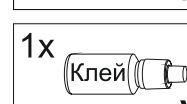
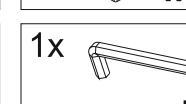


A	B	C		D
1	KT1-1137-01	416	523	2/2
2	KT1-1138-01	416	523	2/2
3	KT1-1143-01	416	492	2/2
4	KT1-273	1300	540	1/2
5	KT1-274	1300	540	1/2
6	KT1-347	603	492	2/2
7	KT1-476	1188	40	2/2
8	KT1-407	448	65	2/2
9	KT1-2514	1188	40	2/2
10	KT1-2536-01	450	140	2/2
11	KT1-2535-01	450	140	2/2
12	KT1-2538	528	140	2/2
13	KT1-962	543	549	2/2
14	KT1-946	467	627	2/2
15	KT1-571-01	70	54	2/2
16	KT1-079	590	180	2/2
17	KT1-080	590	180	2/2



2x  c35 <sup>1</sup>	2x  q40	3x  φ6.0x13 mm e3	4x  φ7x60 mm e8	6x  φ6.0x33 mm e10	8x  Ø5x50 mm e32
43x  φ8x30 mm f1	3x  φ8x50 mm f6	2x  M4x20 mm j1	45x  l1	3x  Ø3,5x13 mm p1	8x  Ø3x12 mm p54
28x  φ15 #16 r1	2x  r10	24x  r16	14x  s2	6x  w36	2x  450 mm w24 <sup>CL</sup>
2x  450 mm w24 <sup>CR</sup>	2x  450 mm w24 <sup>DL</sup>	2x  450 mm w24 <sup>DR</sup>	1x  Клей y1	1x  z1	

